

DH-PLZ20C0-P

12 MegaPixel P-Iris Lens

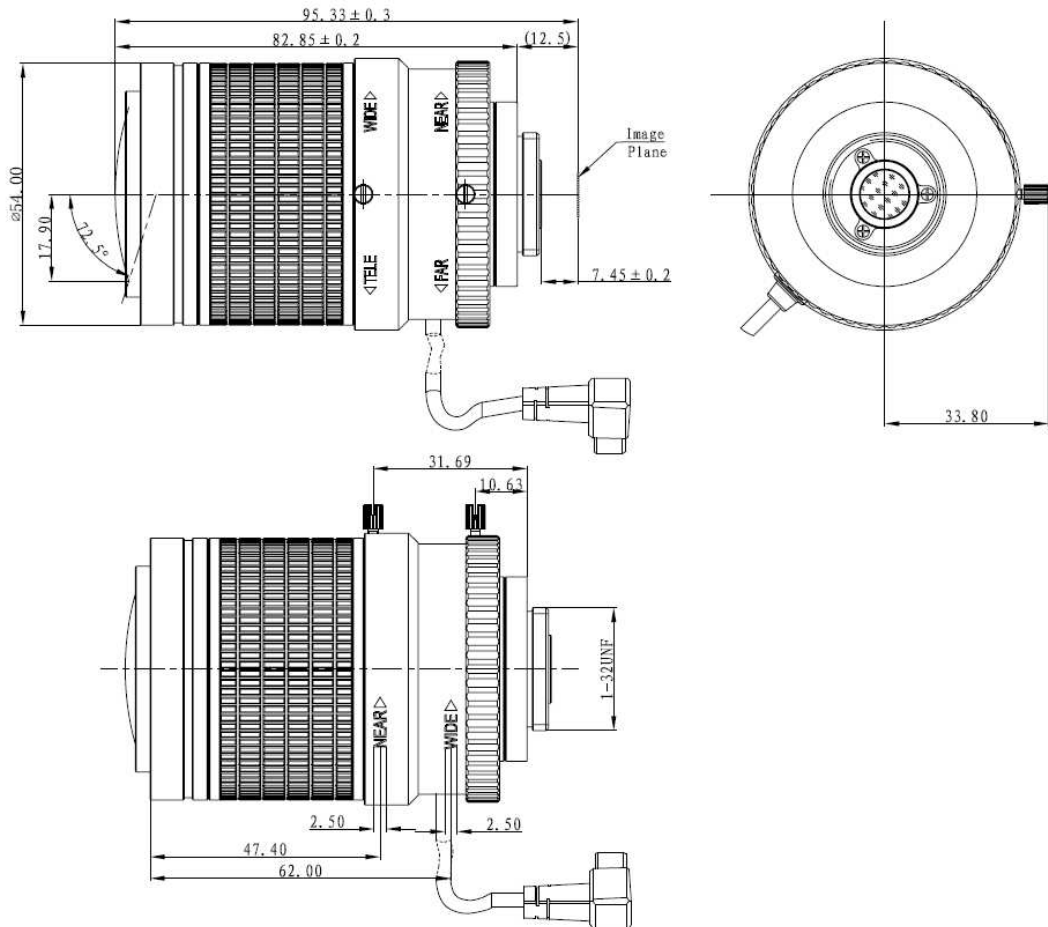


Specifications

Model		DH-PLZ20C0-P
Parameter		
Image format		1/1.7" (max. image format>φ9.33)
Focal length		3.7-16mm
Aperture		F1.5±10%
Field Angle(FOV)		W: 145° x 109° x 79° T: 35.6° x 28.5° x 21.4°
M.O.D.		0.5m
TV Distortion		-30%(Wide)
IR Correction		Yes
Lens Control	Focus	Manual
	Zoom	Manual
	Iris	P-Iris
Mount		CS
Dimension		ø54x82.8mm
Weight		270g
Operating temperature		-30℃~+70℃

DH-PLZ20C0-P

Dimensions (mm)



Dahua Technology Co., Ltd.

1199 BinAn Road, Binjiang District, Hangzhou, China

Tel: +86-571-87688883

Fax: +86-571-87688815

Email: overseas@dahuatech.com

www.dahuasecurity.com

*Design and specifications are subject to change without notice.

© 2014 Dahua Technology Co., Ltd.